

Owners & Safety Manual

SA-2P JAW HOUSING



Simonds
Manufacturer of Pneumatic and Hydraulic Tools

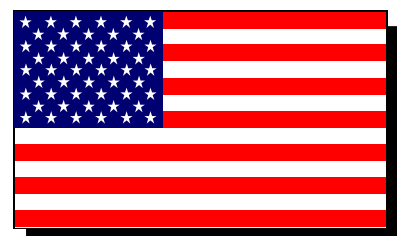


Wear Eye Protection



Read manual carefully.

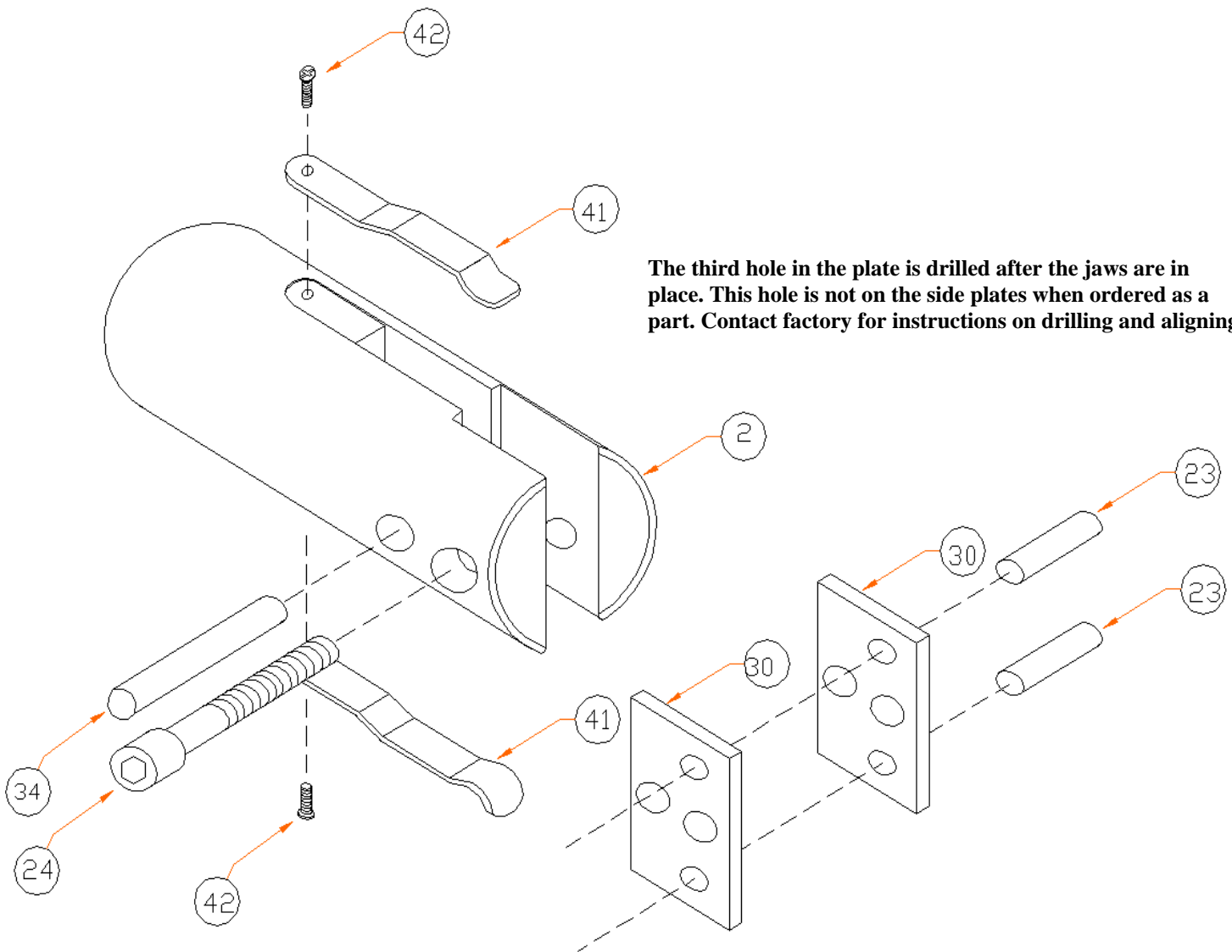
248 ELM ST.
SOUTHBRIDGE, MASSACHUSETTS 01550
USA
PHONE: 508-764-3235
FAX: 508-765-5125
E-mail: sales@simonds-inc.com



10/24/2013

Made in the U.S.A.

PARTS BREAKDOWN



The third hole in the plate is drilled after the jaws are in place. This hole is not on the side plates when ordered as a part. Contact factory for instructions on drilling and aligning.

SA-2P* JAW HOUSING COMPLETE

USE WITH SP-002, SP-003, SP-004, SP-005 SP-006, SP-008

| DRW. NO. | DESCRIPTION | PART NO. |
|----------|--------------------------|-----------|
| 2 | NO. 3 JAW HOUSING | 3-2 |
| 23 | PIVOT PIN | 3-23-K2 |
| 24 | JAW ASSEMBLY MOUNT SCREW | 3-24 |
| 30 | SIDE PLATE | 3-30-K2 |
| 34 | SIDE PLATE LOCKING PIN** | 3-34 |
| 41 | EXTERNAL JAW SPRING | 3-41-K2 |
| 42 | MOUNT SCREW | 28-01-K10 |

- *SA-2P JAW HOUSING USED WITH PGC-, D-4, D-31, D-33 JAW SETS ONLY
- **SIDE PLATE LOCKING PIN USED WITH SA-2P JAW HOUSING ONLY

ASSEMBLY

- Do not exceed recommended wire size for jaws.
 - Remove screw from jaw housing and insert optional jaw. Be sure jaw screw is tight.
 - Jaws should be cleaned and foreign material removed weekly, more often if necessary.
 - Tools can be made either right handed or left handed by simply reversing jaws in housing. **DO NOT OVERTIGHTEN.**
 - If tool is used on an assembly line, check pivot screw for tightness daily.
 - Prior to use attach air hose to air inlet of power pack using proper wrench size. Check that all threads are free of debris.
 - Attach air hose to Air filter/Regulator using a quick disconnect device. Be sure that air hose is secure. There should be no air leaks. If there is, remove hose and check threads for damage. Reattach air hose, tighten.
- **ISOLATE AIR WHILE ATTACHING HOSE AND JAW HEAD!**
- Test unit to assure free movement of jaws. Be sure to follow all safety instructions when testing.
 - Once unit has been tested and safety issues addressed the unit is ready for production line use.

SIMONDS SQUEEZE PLIERS JAWS ARE FACTORY RESHARPENABLE, PLEASE CONSULT YOUR DISTRIBUTOR.

KEEP FINGERS AWAY FROM MOVING PARTS.
MOVING PARTS MAY CAUSE BODILY HARM!



WARRANTY

Simonds Inc. power packs are warranted to be free from defects in materials and workmanship for a period of one year, barring alterations, abuse or misuse. All products returned for warranty repair must be sent to Simonds Inc., Southbridge, MA at end users expense. Simonds will either repair or replace the tool if it is found defective due to material defect or workmanship at Simonds discretion.

Warranty repairs accepted only through distributors with proper RMA's.

OPERATING INSTRUCTIONS:

- Maximum inlet pressure is 5.516 BAR (80 PSI). The power pack needs to have an inline locking regulator to assure that maximum inlet pressure is not exceeded. Minimum air pressure is 2.758 BAR (40 psi). O-rings may not seat properly and unit can leak air if lower than then 2.758 BAR (40 psi).
- For longer tool life it is recommend to use only enough air to complete the job, never exceeding the recommended pressure.
- Tools should have an in line air filter to remove debris, water and particulates. Inline air filter and regulator should be not more than 1.829 meters (6 feet) from the tool.
- An inline lubricator will help to extend the life of the tool. Only use pneumatic oil in the lubricator. If no lubricator is available place a few drops of pneumatic oil in to the air inlet of tool each week. Only lubricants recommended by Simonds are to be used.
- Only tools or jaws recommended and manufactured by Simonds are to be used on this power pack. Use of other tools may constitute a hazard or void warranty.
- To activate unit, slide safety lever over with thumb and squeeze lever. Be sure to release start and stop device in case of a failure of energy supply. Keep fingers, hair and clothing away from head when activating tool.
- Air hose must be securely fastened to the air inlet prior to using. Be sure hose is tightened using the proper tool. The air hose should have a .25 mm (1/8") NPT thread attached that will screw in to the tool end.
- Air hose should be attached to air supply (air filtration system) securely. It is recommended that a quick disconnect devise be used to attach air hose to air supply.

SAFETY INSTRUCTIONS

- Inspect tools and hoses each day prior to operation. Air hose that is frayed, cut or abraded should be replaced. Be sure that threads are clean and not worn.
- If the tool is not in use and not positively disconnected from the energy supply, the energy supply system must facilitate isolation and dissipation of pressure by a suitable and lockable shutoff device in order to prevent unexpected start-up.
- Beware of hair, fingers, ties, loose clothing etc. when operating the tool. Keep away from moving parts.
- Always wear eye protection when operating the tool. Beware of ejection of cuttings or chips. Turn head to avoid being exposed to this operation.
- Beware that working on brittle material may cause harmful splinters.
- Always disconnect from air supply when changing tool, during repair, adjusting and inserting tools, maintenance and cleaning operations.
- Simonds tools are not designed for use in explosive atmospheres.
- Simonds tools are not insulated for coming in to contact with electric power sources.
- Do not use tools near personnel where risk of flying debris may hit them.
- Do not point or aim tool at another person.
- Unsecured or cut air hose may cause a whipping action which may result in injury.
- Do not use any attachments not manufactured by Simonds for this tool. Injury may result.
- If the tool is used on a bench stand or a work station be sure that the tool is fastened properly.
- Dispose of tool and material as recommended by local disposal regulations.
- Simonds tools are not for use other than on production line. Tool should not be used as a hammer or pry bar. A "two hand control" may be required depending on the attached tool..
- **DO NOT EXCEED RECOMMENDED WIRE SIZE OR AIR PRESSURE.** Exceeding the recommended wire size for the jaws may cause damage to tool or injury to user.